



TA3 **TA3S**
TA3H **TA3SH**

Specification

Payload	3000 kg
Gross Engine Power	32.4 kW (43.5 hp)
Max Skip Capacity	1950/1870 Litres

Features

- Large heaped skip capacities.
- “Rental Tough” designs and fabrications to keep you working in the toughest of conditions.
- Thick steel skip base plate with reinforced box sections for high strength and longevity.
- Exceptional service access and ease of maintenance built into every machine.
- High ground clearance, low centre of gravity for superb stability and site accessibility.
- Powerful, reliable and economical Kubota engines.
- Power Tip (TA3 / TA3H) for forwards tip applications. Power Swivel (TA3S / TA3SH) enables effective placement of load to either side - useful for trench filling or small sites.

Specifications

Performance				
	TA3	TA3H	TA3S	TA3SH
Payload (kg)	3000	3000	3000	3000
Unladen Weight (kg)	2260	2320	2550	2620
Skip Capacity - Water (ltr)	1250	1250	1000	1000
- Struck (ltr)	1600	1600	1500	1500
- Heaped (ltr)	1950	1950	1870	1870
Engine	Kubota V2203M			
- Net Power - kW (hp)	32.4 (43.5)			
- Displacement	2197 cc			
- Maximum Torque	147 Nm			
Tyre Size	11.5/80x15.3x8ply			
Drive	3/1 Manual - permanent 4WD	2/2 Hydrostatic - permanent 4WD	3/1 Manual - permanent 4WD	2/2 Hydrostatic - permanent 4WD
Max Travel Speed - mph (kph)	11.8 (19.0)	11.8 (19.0)	11.8 (19.0)	11.8 (19.0)
Gradeability	25 %	25 %	25 %	25 %
Fuel Tank Capacity	37 Litres	37 Litres	37 Litres	37 Litres
Hydraulic Tank Capacity	37 Litres	37 Litres	37 Litres	37 Litres

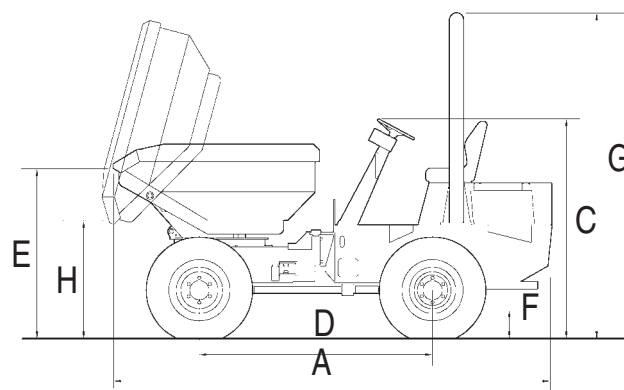
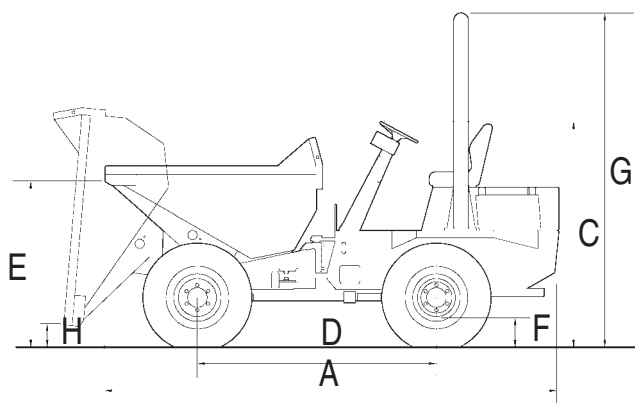
Hydraulic System (Gear Pump)				
	TA3	TA3H	TA3S	TA3SH
Flow rate	30 l/min	30 l/min	30 l/min	30 l/min
Operating Pressure	172 bar	172 bar	172 bar	172 bar

Braking System				
	TA3	TA3H	TA3S	TA3SH
Working Brake	Oil immersed discs on front axle			
Parking Brake	Over Centre Handbrake - Oil immersed discs front axle			

Electrical System				
	TA3	TA3H	TA3S	TA3SH
Voltage	12V	12V	12V	12V
Battery	74 Ah	74 Ah	74 Ah	74 Ah
Alternator	55 A	55 A	55 A	55 A

Dimensions

B = Overall Width (not shown)



Dimensions (mm)

		TA3	TA3H	TA3S	TA3SH
A	Total Length	3700	3700	3790	3790
B	Total Width (not shown)	1950	1950	1840	1840
C	Height to Top of Steering Wheel	1860	1890	1860	1890
D	Wheelbase	1950	1950	1950	1950
E	Height to Front Lip of Skip (untipped)	1430	1460	1500	1530
F	Ground Clearance (Loaded)	280	242	280	242
G	Height to Top of ROPS (raised)	2660 (+200 over Beacon)	2690 (+200 over Beacon)	2660 (+200 over Beacon)	2690 (+200 over Beacon)
H	Height to Front Lip of Skip (tipped)	240	270	1100	1130
	Turning Radius to Outside of Skip	4350 mm	4350 mm	4665 mm	4665 mm
	Steering Angle	± 30°	± 30°	± 30°	± 30°
	Oscillation	± 10.5°	± 10.5°	± 10.5°	± 10.5°
	Tipping Type	Forward	Forward	Swing	Swing

Standard Equipment & Options

Standard Equipment
Folding ROPS Frame
Reversing Alarm
Flashing Beacon
Towing Bracket

Optional Equipment
Site Lights
Road Lights (RTA)
Rear View Mirror
Turf Tyres (11.5 / 15.3)
KOSRAN Anti-theft immobiliser
CESAR Datatag Security
Leg Guard

Dealer

Effective Date: 01 December 2009. Product specifications and prices are subject to change without notice or obligation. The photographs and/or drawings in this document are for illustrative purposes only. Refer to the appropriate Operator's Manual for instructions on the proper use of this equipment. Failure to follow the appropriate Operator's Manual when using our equipment or to otherwise act irresponsibly may result in serious injury or death. The only warranty applicable to our equipment is the standard written warranty applicable to the particular product and sale and Terex makes no other warranty, express or implied. Products and services listed may be trademarks, service marks or trade-names of Terex Corporation and/or its subsidiaries in the USA and other countries. All rights are reserved. Terex® is a registered trademark of Terex Corporation in the USA and many other countries. © 2010 Terex Corporation. ♻️ Printed on material using 55% recycled fibre from both pre and post-consumer sources, together with 45% virgin ECF fibre from sustainable forests.

TEREX516UK

TEREX Construction
Central Boulevard, ProLogis Park, Coventry, England CV6 4BX
Tel +44 (0) 2476 339400 Fax +44 (0) 2476 339500
Email enquiries@terexce.com www.terex.co.uk

